



ICONA+ RANGE



**HIGH EFFICIENCY
OPEN FRONTED GAS FIRES**



Details Inside

Designed, manufactured and tested in the UK

For nearly 30 years Nu-Flame has brought together the very best of **British Innovation, Design and Engineering** to give our customers a range of quality gas fires with the authentic look of a traditional flame.

Nu-Flame, a family run business, has invested heavily in our own state of the art factory in Surrey. Unlike some companies, we choose to manufacture all of our fires here in the UK and this enables us to ensure that your fire is built to the highest standards as well as allowing us to react quickly to any changes in the marketplace.

Every Nu-Flame fire is built to ISO 9001 and CE quality standards.



Nu-Flame fires come with a 5 year peace of mind option... ask your stockist for details.

For a reasonable one off payment, the warranty on your Nu-Flame fire can be extended to 5 years. Your stockist can advise you of the current rates.

Q. Why is the Nu-Flame extended warranty option better than other manufacturers' long term guarantees?

A. Our offer represents much better value for money, without hidden terms and conditions that are likely to void your warranty after the first year, or, if followed, can cost you considerably more than the purchase price of the fire.



British Made



Nu-Flame would like to thank the following companies for the loan of their furniture used in this brochure:

Glasswells (World of Furniture) 01473 622422 www.glasswells.co.uk

HIGH EFFICIENCY OPEN FRONTED GAS FIRES

The Icona is very versatile and can be installed in a fireplace or used as a Hole in the Wall fire. There is a wide choice of internal linings and these can be mixed and matched with the fuel effect options of Log, Driftwood, Pebble or Coal.

When fitted as a Hole in the Wall fire the Icona can have either a minimalist frameless look or be fitted with a range of stylish frames that are available in a variety of modern and durable finishes. The wide choice of formats, linings, fuel effects and frames enable you to tailor the Icona to suit your individual requirements and style.

Due to its unique design a television can be fitted above the Icona fire, subject to a space of 200mm or more being left between the top of the fireplace opening and the bottom of the television.

Quality Assured!

Nu-Flame's reputation has been built on a solid foundation of engineering excellence and attention to detail in both design and manufacturing. The build quality of the Icona range is second to none and every component from the fuel bed to the control system is of the highest standard. Designed, Engineered and Built in Britain, every Nu-Flame fire is manufactured to strict CE and ISO 9001 quality standards.



GB Patent

Inset photo above: The Icona 800+ with two-tone Brushed Stainless and Phosphorus Concept frame, Log fuel effect and Reflective Vitreous Enamel rear and side linings

Front cover photo: The Icona 800+ with Piano Black Deluxe frame, Driftwood fuel effect and Weathered Board rear lining

ICONA 600+

HIGH EFFICIENCY

High Output

Efficiency and output figures are dependent on the type of gas used and the fuel effect chosen. Please refer to page 11 for full details.

**OPEN
FRONTED**



The Icona 600+ with a two-tone Brushed Stainless and Gun Metal Concept frame, Coal fuel effect and Brick rear lining



ICONA 600+

The Icona 600+ is a highly efficient and stylish open fronted fire that will enhance any room. It is very versatile and as well as being used as a Hole in the Wall feature it can be fitted into a fireplace. With a choice of frames, formats, and a selection of stunning hand finished fuel effects and rear linings, you can tailor the Icona 600+ to suit your individual style.

The Icona 600+ with Marfil Deluxe frame, Log fuel effect and Slate rear lining

ICONA 600+

The Icona 600+ is available with a choice of frames, and the full choice is shown on pages 10 and 11. However, it can also be fitted as a minimalist frameless look. The larger Icona 800+ model is shown in a frameless format on page 8.



**OPEN
FRONTED**

The Icona 600+ shown in a Noir Grande frame with Driftwood fuel effect and Slate rear lining



ICONA 800+

HIGH EFFICIENCY

High Output

Efficiency and output figures are dependent on the type of gas used and the fuel effect chosen. Please refer to page 11 for full details.

The Icona 800+ with two-tone Brushed Stainless and Violet Concept frame, Log fuel effect and Reflective Vitreous Enamel rear and side lining

ICONA 800+

The combination of cutting edge design and innovation, unique to Nu-Flame, has enabled us to achieve efficiencies and heat outputs across the Icona+ range that were previously unattainable with an open fronted landscape fire.

**OPEN
FRONTED**



The Icona 800+ with a Phosphorous Grande frame, Log fuel effect and Slate rear lining



ICONA 800+

The Icona 800+ Frameless can be equally at home in a traditional room or an ultra modern minimalistic setting. Installed, as shown, straight into a suitable chimney breast or as pictured on page 9, in a contemporary fireplace.

The Icona 600+ is also available as a frameless fire.

The Icona 800+ fitted as a minimalist frameless look, Pebble fuel effect and Black rear lining

ICONA 800+

The Icona 800+ is a highly efficient and stylish open fronted fire that will enhance any room. It is very versatile and as well as being used as a Hole in the Wall feature it can be fitted into a fireplace. With a choice of frames and formats, together with a selection of stunning hand finished fuel effects and rear linings, you can tailor the Icona 800+ to suit your individual style.

**OPEN
FRONTED**

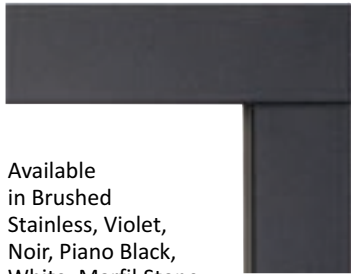


The Icona 800+ in a contemporary stone fireplace with Coal fuel effect and Brick rear lining

Frame Options

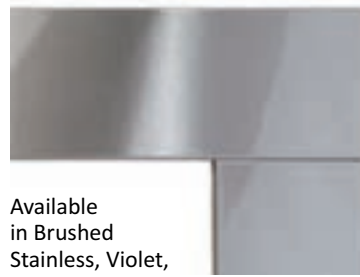
Please also refer to page 8 for "Frameless" option

Harmony - 50mm x 50mm



Available in Brushed Stainless, Violet, Noir, Piano Black, White, Marfil Stone

Deluxe - 100mm x 100mm



Available in Brushed Stainless, Violet, Noir, Piano Black, White, Marfil Stone

Grande

Icona 600 version 118mm top & bottom
Icona 800 version 176mm top & bottom
both with 225mm sides



Available in Violet, Phosphorus, Noir, White, Marfil Stone

Concept - 50mm top & bottom with 100mm sides



Available in two-tone, Brushed Stainless with either Gun Metal, Violet, Phosphorus or Noir

Please note – it is possible to remove one frame and fit another as they are held on magnetically. However, it is not possible to change from a Frameless to a Framed fire or vice-versa, as they are installed in different ways.

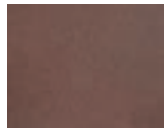
Frame Colour Options



Brushed Stainless



Violet



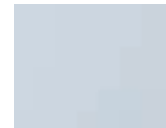
Phosphorus



Noir



Piano Black



White



Marfil

We have made every effort to show the finishes as accurately as possible. We cannot fully reflect the depth and quality of the finishes in print, nor can we guarantee exact colour matches. Your Nu-Flame stockist can show you swatches of the actual finishes used.

Two-Tone Colour Options (Concept Frame Only)



Violet & Brushed Stainless



Gun Metal & Brushed Stainless



Phosphorus & Brushed Stainless



Noir & Brushed Stainless

Fuel Bed Options



Log



Driftwood



Pebble



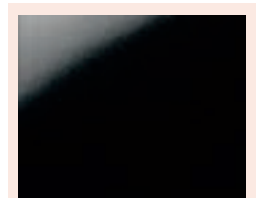
Coal



Brick



Weathered Board



Reflective Vitreous Enamel
Rear and Side Lining

Fully Sequential Remote Control

Powered by 4 standard AA batteries. As well as on/off and variable flame height control, our fully sequential Thermatronic system turns the pilot on and off when extinguishing the fire.

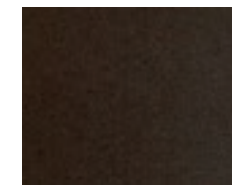
It is compatible with, and can control, the Exhausto EFC21 remote control chimney fan system.



Rear Linings

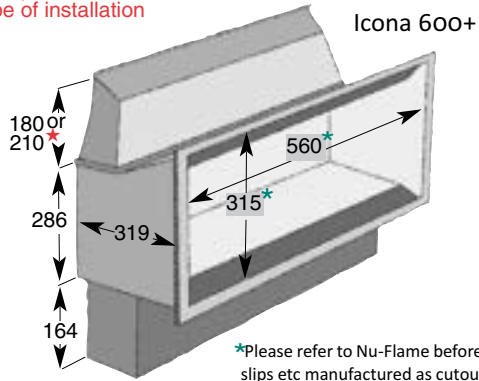


Slate

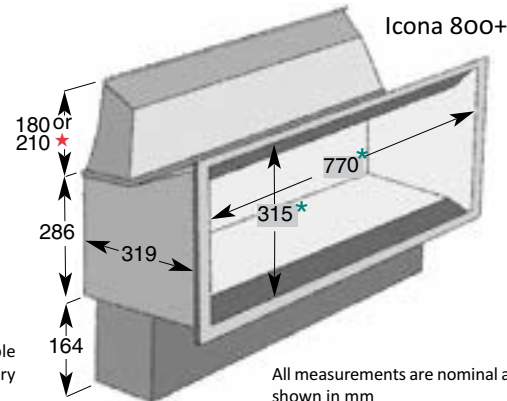


Black

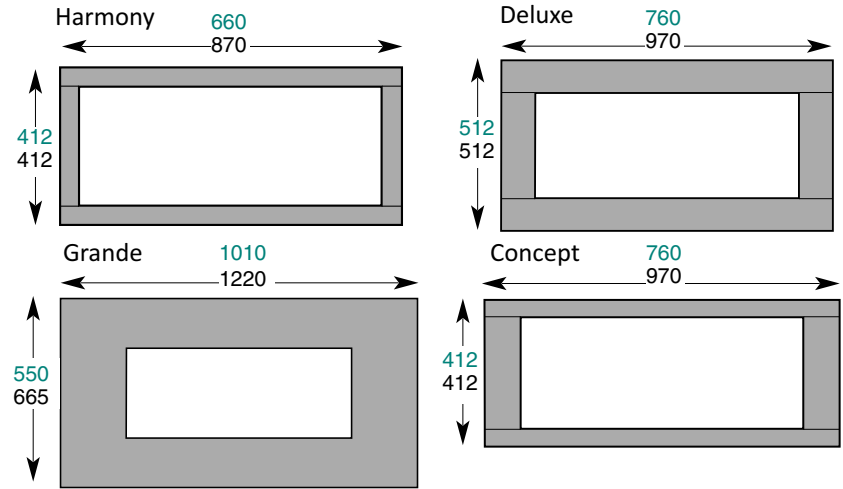
*Dependent on type of installation



*Please refer to Nu-Flame before getting marble slips etc manufactured as cutout sizes may vary depending on type of installation



All measurements are nominal and shown in mm
Drawings are not to scale



Technical Information

MODEL	600+N	600+L	800+N	800+L
GAS TYPE	Natural Gas	Propane	Natural Gas	Propane
CONTROL TYPE	Full Remote Control			
VENTILATION REQUIRED	No [†]	No [†]	No [†]	No [†]
FLUE TYPE	Class 1 & 2 flues & 5" lined flue			
FUEL BED OPTIONS	Log, Driftwood, Pebble, Coal			
CHIMNEY MODELS:				
EFFICIENCY CLASS	Class 2 Efficiency			
EFFICIENCY NET				
Log, Driftwood	57.0%	54.3%	58.3%	60.3%
Pebble	56.3%	53.6%	57.0%	58.9%
Coal	58.9%	56.3%	55.1%	56.4%
ENERGY EFFICIENCY CLASS	F	F	F	F
MAX INPUT NET	6.58kW	5.6kW	6.85kW	6.6kW
MIN INPUT NET	2.25kW	2.30kW	2.6kW	2.4kW
MAX OUTPUT *				
Log, Driftwood	3.8kW	3.0kW	4.0kW	4.0kW
Pebble	3.7kW	3.0kW	3.9kW	3.9kW
Coal	3.9kW	3.2kW	3.8kW	3.7kW
MIN OUTPUT				
Log, Driftwood	1.22kW	1.18kW	1.4kW	1.37kW
Pebble	1.22kW	1.16kW	1.35kW	1.32kW
Coal	1.26kW	1.22kW	1.3kW	1.21kW

Icona 600+ frame sizes shown in green
Icona 800+ frame sizes shown in black

Your installer will need to allow space underneath the Icona chamber to accommodate the burner, and above the chamber in the flue to accommodate either hood or canopy (hood shown in drawing) dependent on the type of installation. Neither of these will be visible when the fire is installed.

In line with our policy of continual improvement, we reserve the right to modify specifications. We have taken every care in the preparation of the contents of this brochure, but we accept no liability for any loss or damage arising directly or indirectly from the use of this brochure.

[†]Ventilation not normally required in the UK subject to a satisfactory flue test. Please note that ventilation requirements shown are for the UK and may vary from country to country. In all cases, local installation requirements must be followed.

The efficiency and output figures quoted in this brochure are the results of tests carried out under laboratory conditions by BSI using the methodology and equipment as laid down in BS7977-1:2009+A1:2013. This enables customers to make a direct comparison between one manufacturer's independently verified figures and another. It also allows our figures to be used in the UK Government's Standard Assessment Procedure (SAP) for the Energy Rating of Dwellings. When installed in any given property the overall performance of any fire could be affected by the individual attributes of the installation such as room insulation, ventilation and the characteristics of the chimney etc.

GB Patent



Nu-Flame Ltd
Unit 4, Kimpton Trade & Business Centre
Minden Road, Sutton, Surrey, SM3 9PF

T : 020 8254 6802

F : 020 8641 9992

Email : sales@nu-flame.co.uk

Web : www.nu-flame.co.uk

The Icona 600+ with Brushed Stainless Steel Harmony frame, Coal fuel effect and Brick rear lining

